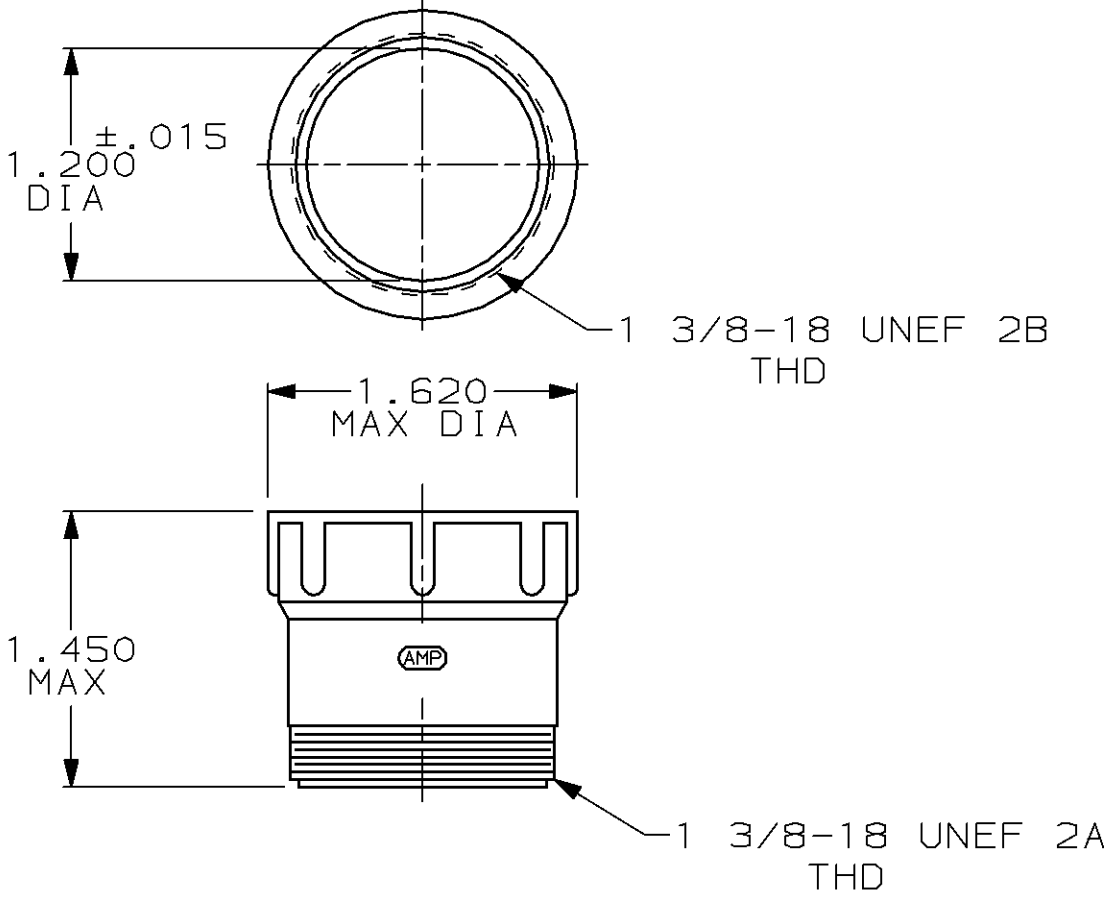


LOC	DIST	REVISIONS				
P	LTR	DESCRIPTION	DATE	DWN	APVD	
BD	35	B	REDRAWN	31 JUL 90	-	KB
		C	REVISE PER EC 0020-750-95	26 JUL 95	CR	RB



THIS DRAWING IS UNPUBLISHED. BY AMP INCORPORATED. ALL RIGHTS RESERVED. COPYRIGHT 19

207055-1
PART
NUMBER

DIMENSIONS: INCHES	DWN	S.RIDGLEY	31 JUL 90	MATERIAL	GLASS FILLED NYLON	FINISH	-
	CHK	R.STONE	26 APR 91	AMP Incorporated Harrisburg, PA 17105-3608			
TOLERANCES UNLESS OTHERWISE SPECIFIED:	APVD	K.BEAVER	30 APR 91				
	0 PLC	±-	PRODUCT SPEC	-	NAME		
1 PLC	±-	APPLICATION SPEC	-	SIZE	A4	CAGE CODE	00779
2 PLC	±-	WEIGHT	-	DRAWING NO	C-207055		
3 PLC	±-		CUSTOMER DRAWING	SCALE	1:1	SHEET	1 OF 1
4 PLC	±-		SCALE	1:1	SHEET	1 OF 1	REV
ANGLES	±-						